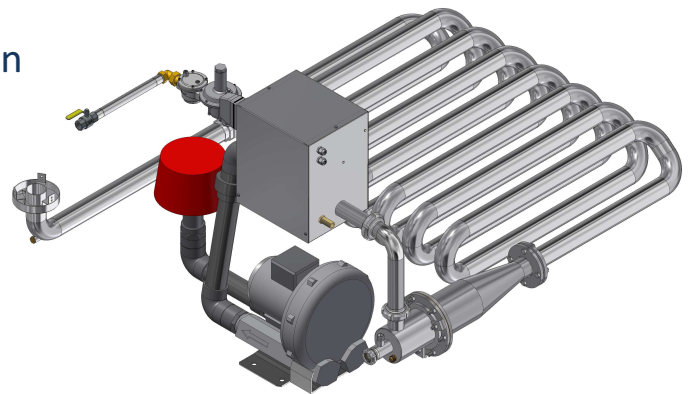


“STANDARD VERSION” COMPACT IMMERSION TUBE - TIC(STD)

Energy at the core of the process

40 to 1500kW

Gas burner
 Energy-efficient
Liquid heating
 Washing Easy integration
Degreasing
 Stripping
 Cooking Dyeing
 Hot water production
Energy self-sufficient



Winning features:

- ✓ **Energy savings** from 20% to 50%
Reduced CO₂ emissions
 - ✓ Efficiency **95%/NCV**
 - ✓ Compatible with **current equipment**
 - ✓ Simplified set-up
 - ✓ Assembly **suited to tanks that are difficult to weld**
 - ✓ **Standalone**, programmable clock start (optional)
 - ✓ Shorter water circuit, **smaller energy loss**
 - ✓ **Biogas-compatible**
 - ✓ Not subject to the European Pressure Equipment Directive
- ✓ **Food industry:**
 - Fast, efficient cooking
 - Cooking without risk of damaging the product in a water bath

* : According to the features of your installation



Applications

Food industry

Domestic hot water production
 Clean in place station tanks
 Vacuum cooking
 Swine scalding
 Cooking pot
 Continuous deep fryer
 Thawing
 Washing tunnel
 In-line pasteurisation tunnel

Surface treatment

Process hot water production
 Wide range of baths (degreasing, stripping, rinsing, phosphatation, passivation, anodising)
 Surface treatment tunnels

Chemistry/Cosmetics industries

Decoction baths
 Washing machine drum
 Hot water production

Textiles

Cleaning / dye process rinsing
 Wool washing
 Dye baths
 Hot water production
 Superheated water production
 Washing machine drum

Breweries

Malting vat
 Bottle pasteurisation

References



Océalliance-Mariteam



PÊCHEURS D'ISLANDE
L'esprit du Grand Métier, chez Vous !

