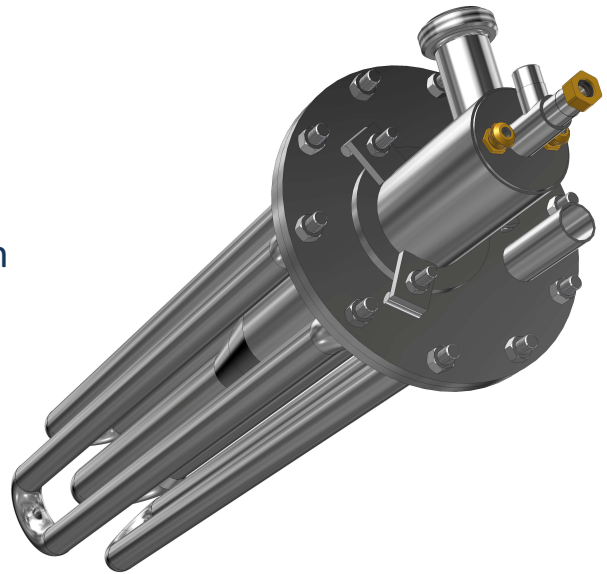


“BUNDLED VERSION” COMPACT IMMERSION TUBE - TIC(F)

Energy at the core of the process

40 to 1500kW

Gas burner
 Energy-efficient
Liquid heating
 Washing Easy integration
Degreasing
 Stripping
 Cooking Dyeing
 Hot water production
Energy self-sufficient
 High pressure



Winning features:

- ✓ **Energy savings** from 20% to 50%
Reduced CO₂ emissions
 - ✓ Efficiency from **95%/NCV up to 105%/NCV*** (optional)
 - ✓ Compatible with **current equipment**
 - ✓ Simplified set-up
 - ✓ Standalone, programmable clock start (optional)
 - ✓ Shorter water circuit, **smaller energy loss**
 - ✓ **Biogas-compatible**
 - ✓ Not subject to the European Pressure Equipment Directive
- ✓ Food industry:
 - Mounts onto existing flange without user modification
 - Can be used in pressure applications

* : Depends on the features of your installation and operating methods



Applications

Food industry

Domestic hot water production
Clean in place station tanks
Vacuum cooking
Swine scalding

Breweries Bottle washing
Bottle pasteurisation

Surface treatment
Process hot water production

Chemistry/Cosmetics industries
Hot water production

Textiles
Cleaning / dye process rinsing
Wool washing
Dye baths
Hot water production
Superheated water production

References

